

CHELSEA® 897 SERIES

Constant Mesh PTO for Allison 3000 & 4000 Transmission Family

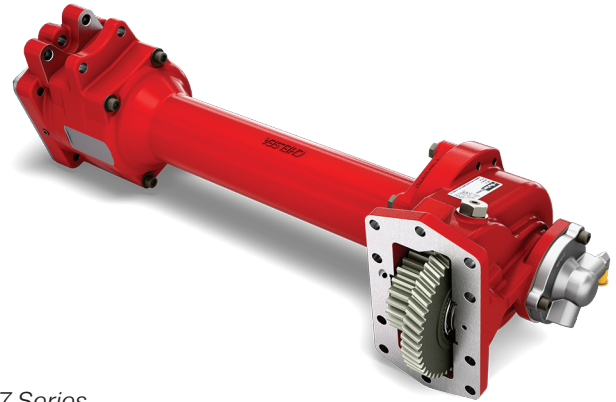
The 897 Series Power Take-Off (PTO) mounts like a standard side mounted PTO with an extended shaft and additional bracket at the rear of the transmission for greater pump support. The output of the PTO is beyond the rear of the transmission where there is extra space to mount larger pumps. The 897 Series is a single unit, not a PTO with an extension. The main shaft is a one piece solid shaft eliminating the input splines between the PTO and the shaft. The output utilizes Wet Spline Technology which virtually eliminates spline fretting problems.

Applications:

- Fire & Rescue
- Pumper Cleaner
- Truck Cranes
- Refuse

Product Features and Benefits:

- Pump Clearance – Moves the PTO output flange to the rear of the transmission.
- Compact Design – Requires less space than current PTOs.
- Power – Torque ratings up to 670 lbs-ft.
- Ratio Choices – Multiple output ratios available.
- Ease of Installation – Installed in two pieces.
- Single piece shaft – Solid steel shaft.
- Wet Spline outputs – Extends shaft life for Pump & PTO.

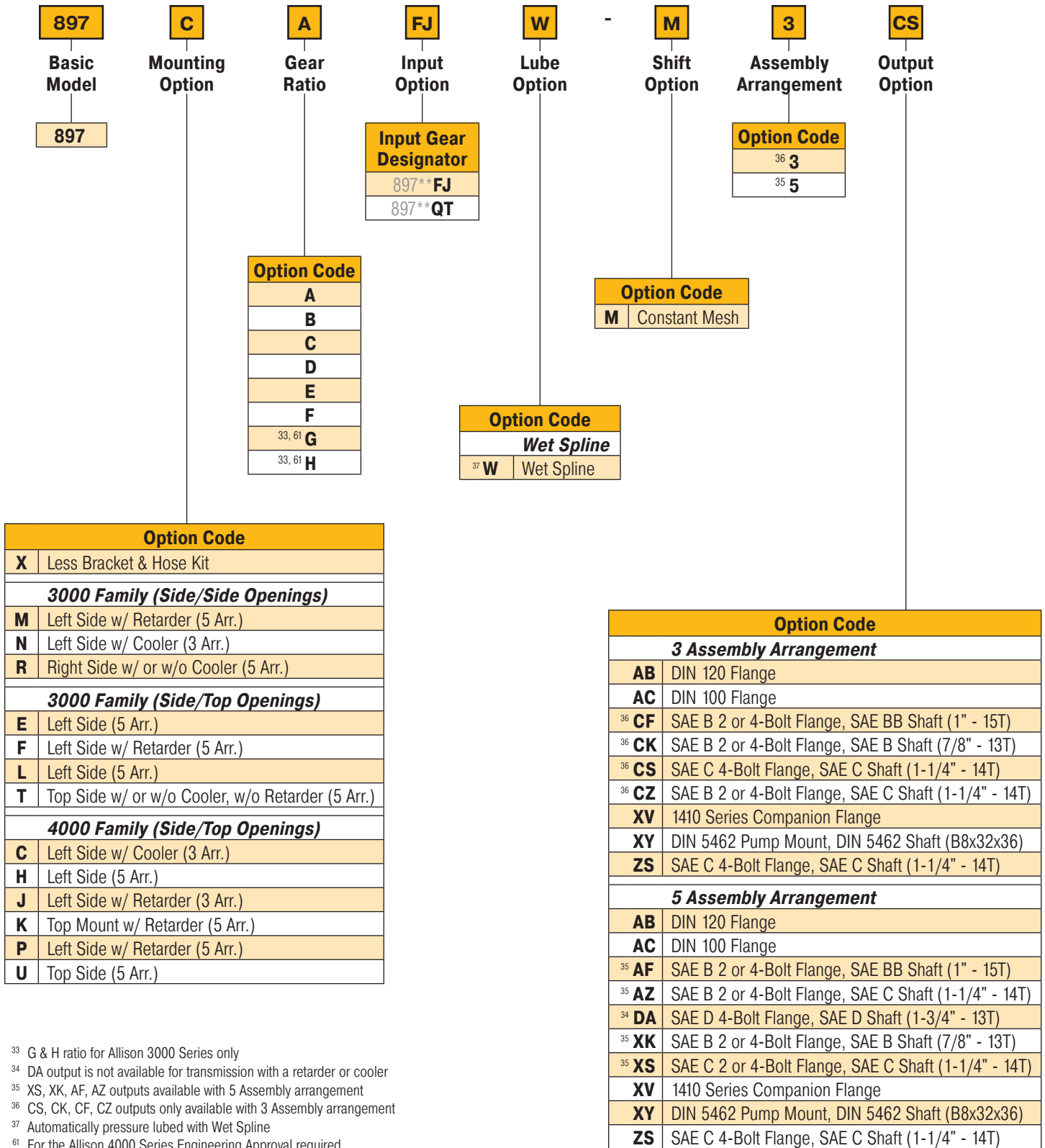


897 Series



897 Series Power Take-Off – Allison

Model Number Designator



³³ G & H ratio for Allison 3000 Series only

³⁴ DA output is not available for transmission with a retarder or cooler

³⁵ XS, XK, AF, AZ outputs available with 5 Assembly arrangement

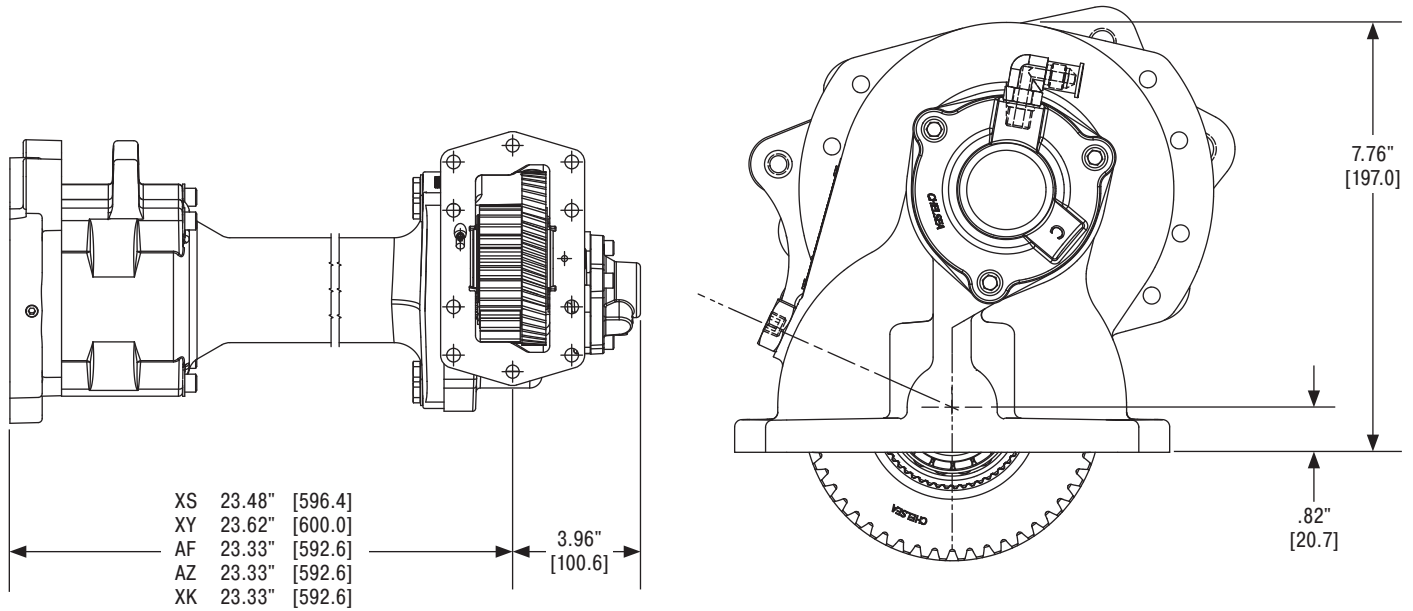
³⁶ CS, CK, CF, CZ outputs only available with 3 Assembly arrangement

³⁷ Automatically pressure lubed with Wet Spline

⁶¹ For the Allison 4000 Series Engineering Approval required

897 Series Power Take-Off – Allison

Dimensions & Specifications – For PTO output information see application catalog



Specifications Chart		Approximate Weight: 86 lbs. [39 kg]							
		897*A	897*B	897*C	897*D	897*E	897*F	897*G	897*H
Intermittent & Continuous Torque Rating lb-ft [N-m]		670 [908]	630 [854]	590 [800]	550 [746]	485 [658]	430 [583]	379 [513]	356 [482]
HP Rating for Intermittent & Continuous Service									
At 500 RPM of Output Shaft HP [kW]		64 [48]	60 [45]	56 [42]	52 [39]	46 [35]	41 [31]	36 [27]	34 [25]
At 1000 RPM of Output Shaft HP [kW]		128 [95]	120 [90]	112 [84]	105 [78]	92 [69]	82 [61]	72 [53]	68 [50]

Parker Hannifin Corporation
Chelsea Products Division
 8225 Hacks Cross Road
 Olive Branch, MS 38654 USA
 phone 1-888-PH4-TRUK (1-888-744-8785)
 chd_support@support.parker.com
 www.parker.com/chelsea

HY25-0085-B1/US November 2025

© 2025 Parker Hannifin Corporation

