

# CHELSEA® 626 SERIES

## Rear Mount Geared Adapter

When you need to change PTO output shaft rotation or clear a mounting obstacle, a geared adapter may be required.

The 626 adapter is designed to simplify your selection and installation of a geared adapter when you require a change in rotation or are trying to clear an obstacle.

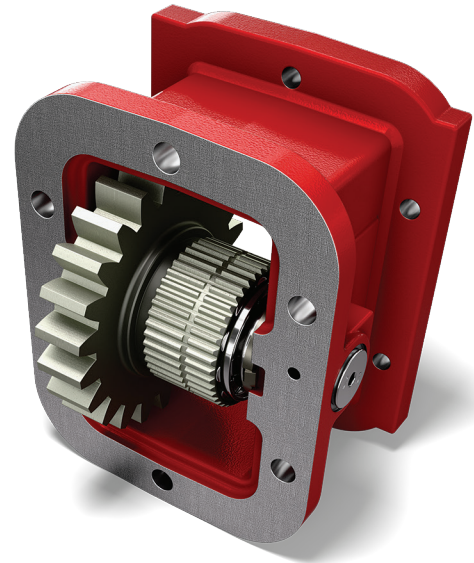
The adapter use the same input gears as the 442 and 489 Series PTOs, and are available in kits. The 626 adapter fits a 6-Bolt opening and moves the PTO straight out from the transmission.

The 626 adapter assemblies have the same pitch line to mounting face dimensions as the 442 Series. This means the same mounting hardware and spacers you use to mount the PTO to a specific application will be the same hardware you use to mount the geared adapter to that application.

Using the 626 will change the direction of PTO rotation. It will not change the speed of the PTO.

### Product Features and Benefits:

- 6-Bolt PTO for a 6-Bolt Transmission Opening.
- Moves the PTO straight out from the transmission.
- Uses the same input gears as the 442 and 489 Series.
- Uses the same mounting hardware and spacers used to mount a 442 Series to a specific application.

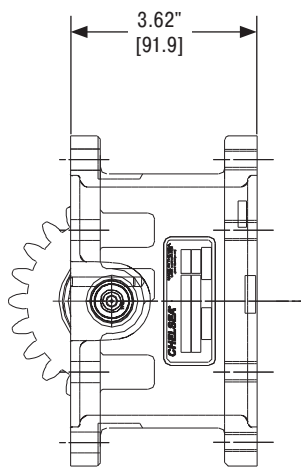
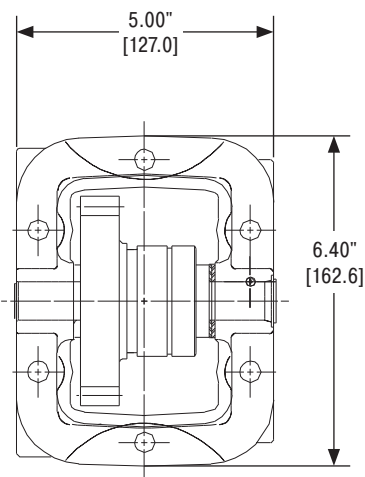
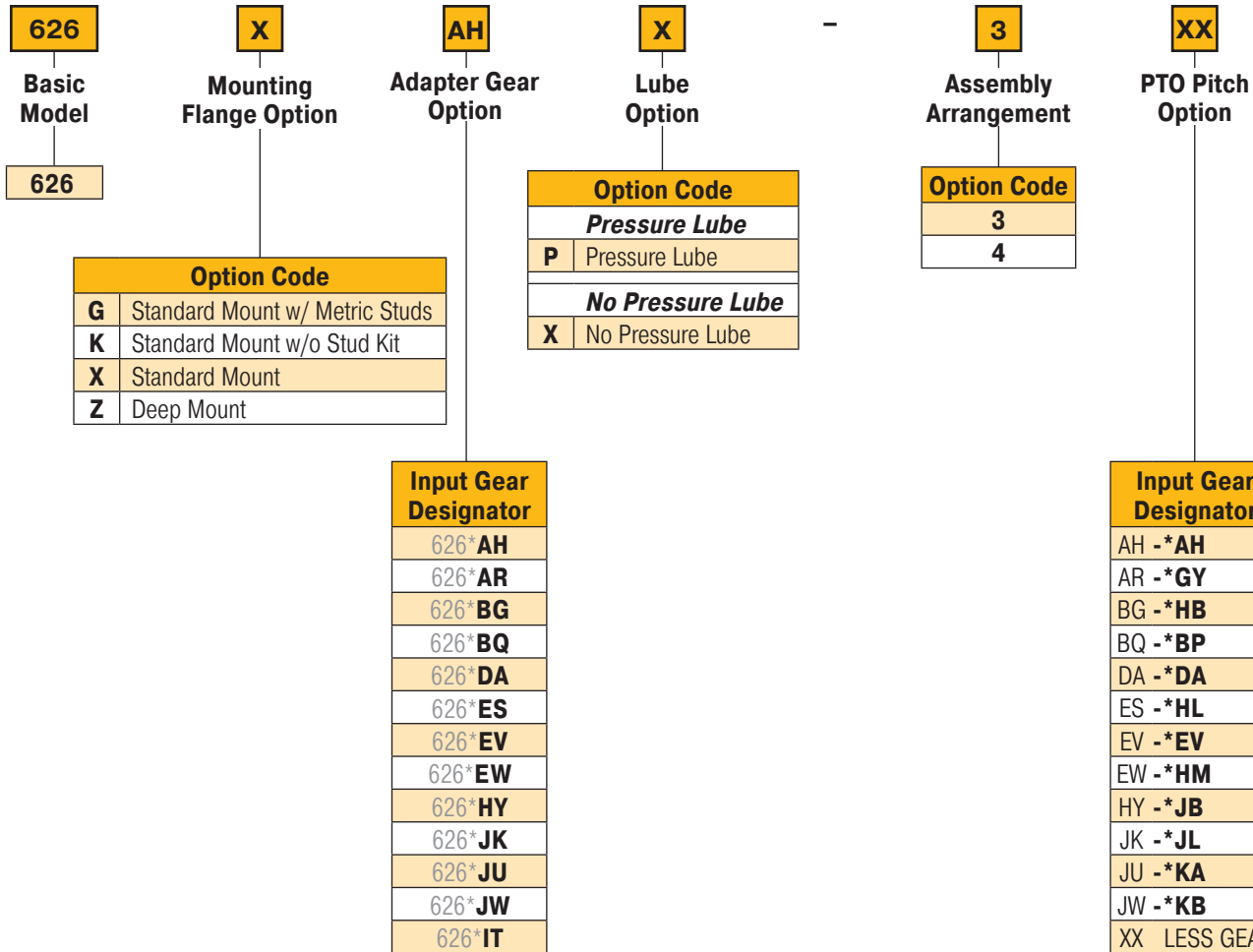


626 Series



# 626 Series Geared Adapters – 6-Bolt to 6-Bolt Transmission Opening

## Model Number Designator & Dimensions



Parker Hannifin Corporation  
**Chelsea Products Division**  
 8225 Hacks Cross Road  
 Olive Branch, MS 38654 USA  
 phone 1-888-PH4-TRUK (1-888-744-8785)  
 chd\_support@support.parker.com  
 www.parker.com/chelsea

HY25-0221-B1/US November 2025

© 2025 Parker Hannifin Corporation

